

Domestic Steel Required?

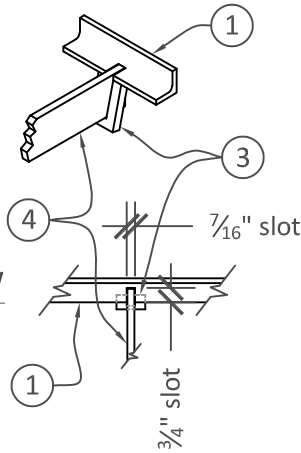
Yes No

If left blank, steel will be chosen at the discretion of Iron Age

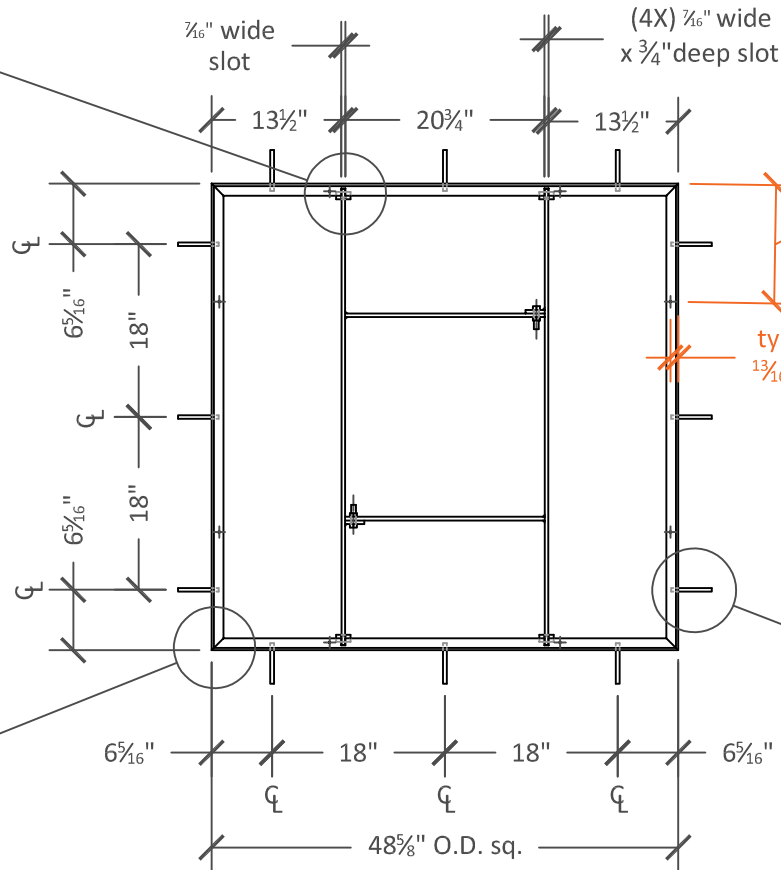
Item #	MATERIALS LIST
1	1/4" x 1 1/4" x 1 1/4" Angle
2	#3 Rebar
3	3/8" x " x 1 1/2" x 2 1/2" Saddle
4	03_FR_H_SUPPORT_48"

DETAIL B

(4X) Saddle Bracket @ H Support



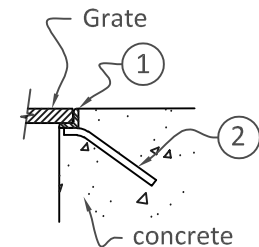
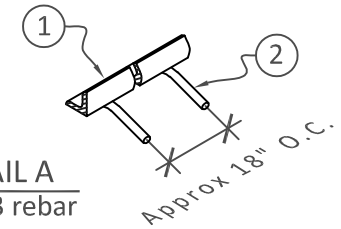
TOP VIEW



(8X) bolt dn location
12 5/16" from outer edge

typ. bolt dn location
13 1/16" from outer edge

DETAIL A
typ. #3 rebar



Iron Age Approved PDF
Jonathan 10/04/2018

4' Sq. Tree Grate "E" Embed Frame w/ "H" Support

Notes:

1. All welds to be kept outside of grate bearing surfaces, or ground smooth.
2. Ships in 3 pieces: 1 frame, 2 brace

Made in USA ©2018 Iron Age Designs

IRON AGE
DESIGNS

Telephone 206.276.0925
www.ironagedesigns.com

Fits: 4'sq 4pc Tree Grates

Material: Mild Steel

Casting Thickness: 1.00"

Standard Finish: Natural

Drawing Name: STD_FR_TREEGRATE_E_48"X48"

By: JH

Date: 6/06/18

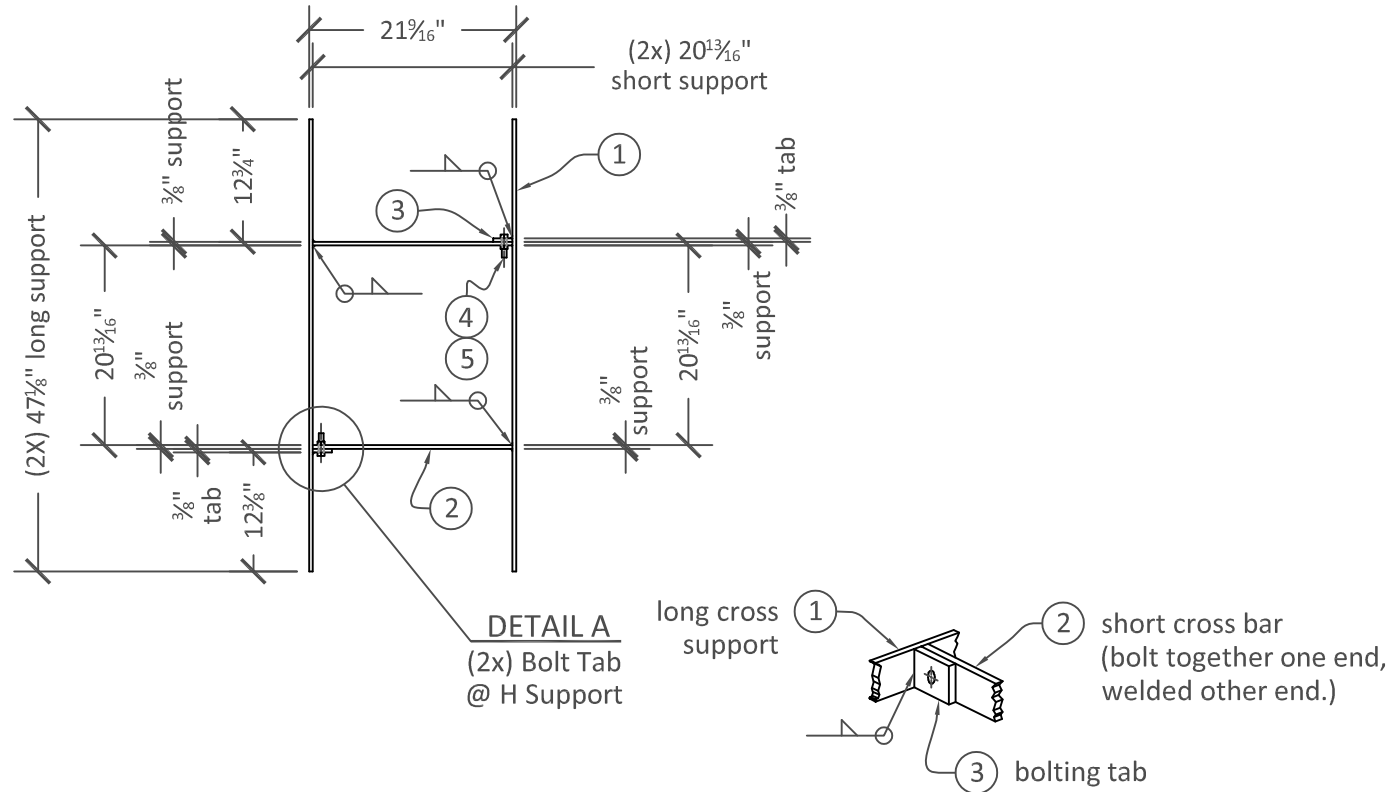
Job No: XXXXXXXX Scale: 1:20

Domestic Steel Required?

Yes No

If left blank, steel will be chosen at the discretion of Iron Age

Item #	MATERIALS LIST	qty.
1	3/8" x 2" x 47 1/8" F.B	2
2	3/8" x 2" x 20 13/16" F.B.	2
3	3/8" x 2" x 2" F.B. tab	2
4	3/8" Bolt	2
5	3/8" Nut	2



Iron Age Approved PDF
Jonathan 07/27/2018

4' Tree Grate "H" Support

Notes:

1. All welds to be kept outside of grate bearing surfaces, or ground smooth.
2. Ships in 2 pieces w/ hardware.

Made in USA ©2018 Iron Age Designs



Telephone 206.276.0925
www.ironagegrates.com

Fits: 4' Tree Grates

Material: Mild Steel

Standard Finish: Natural

By: JH Date: 7/24/18

Job No: XXXXXXXX Scale: 1:20

Casting Thickness: varies

Drawing Name: STD_FR_H_SUPPORT_48"