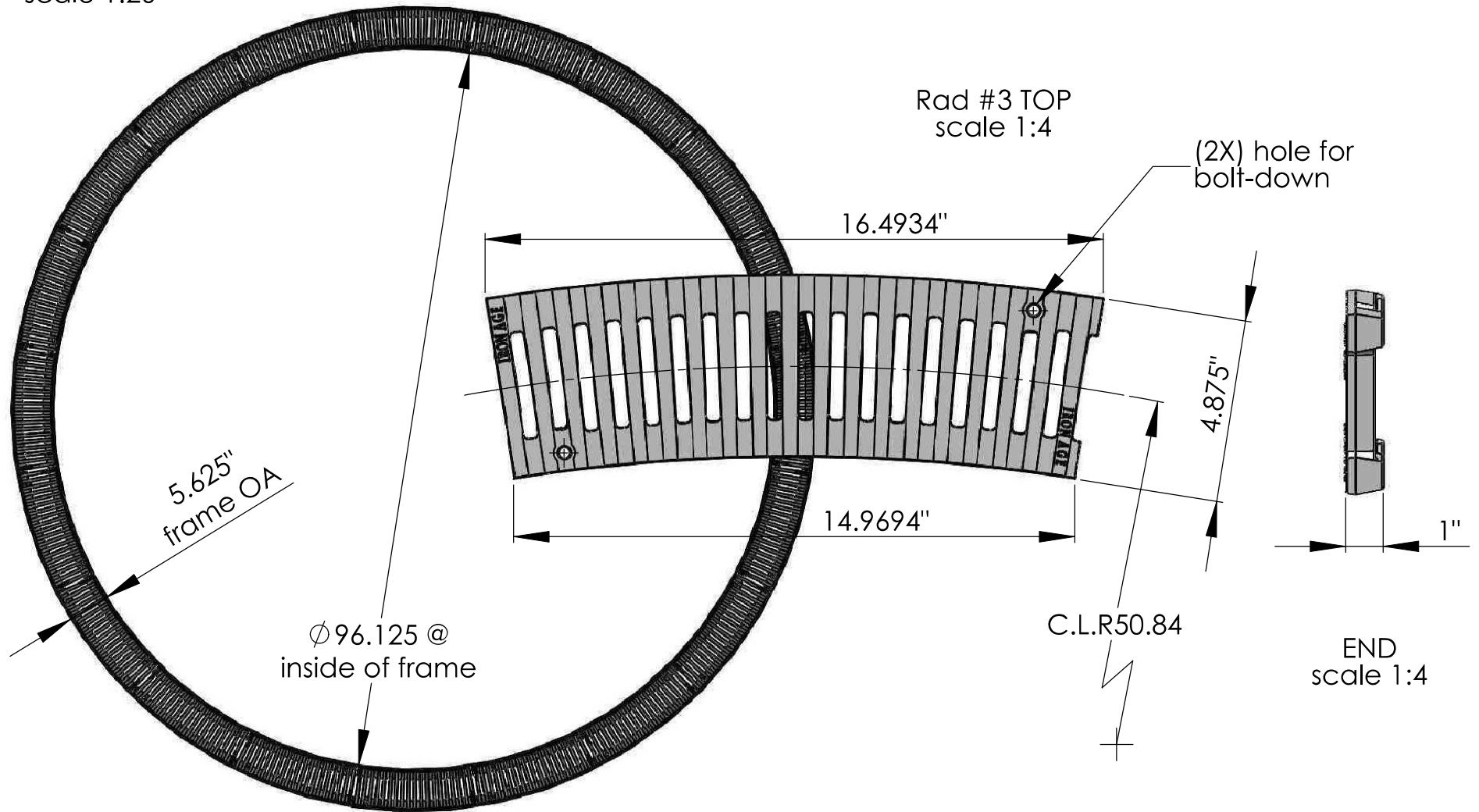


20 CASTINGS arrayed
scale 1:20

Rad #3 TOP
scale 1:4

(2X) hole for
bolt-down



C.L.R50.84

END
scale 1:4

NOTES:

1. Material: cast ductile iron
2. Finish: Natural
3. Total Thickness: 1"
4. Fits trench frame manufactured by:
Iron Age™
5. No openings greater than: 1/2"
6. Approx. weight <10 lbs.
7. Due to casting inconsistencies all dimensions are nominal

IRON AGE 2104 SW 152nd St #4 TEL 206.276.0925
DESIGNS Burien, WA 98166 FAX 206.257.0318
www.ironagedrains.com

Regular Joe 5" Trench Grate
4'-3" C.L.R.

Drawn by: CD
Date: 2/12/10
Scale: NTS

DWG. NO. 03-JOE.I.5x17CLR4'

© 2010 Iron Age Designs