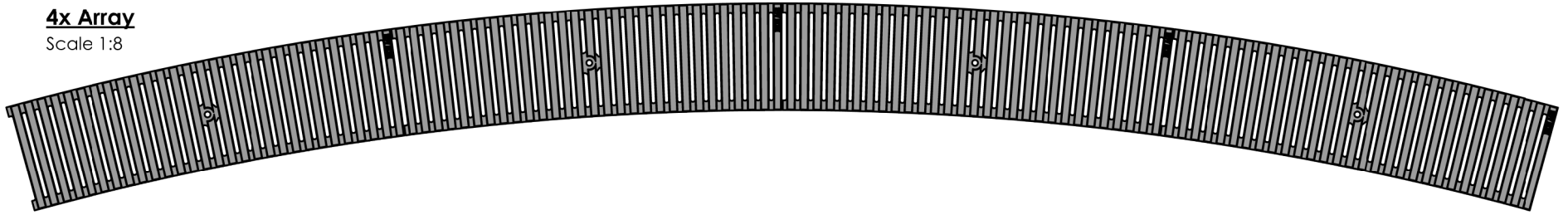


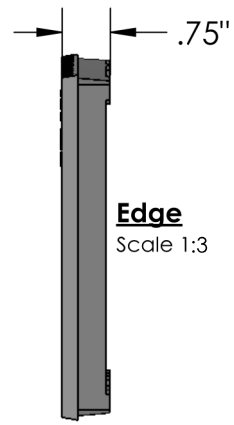
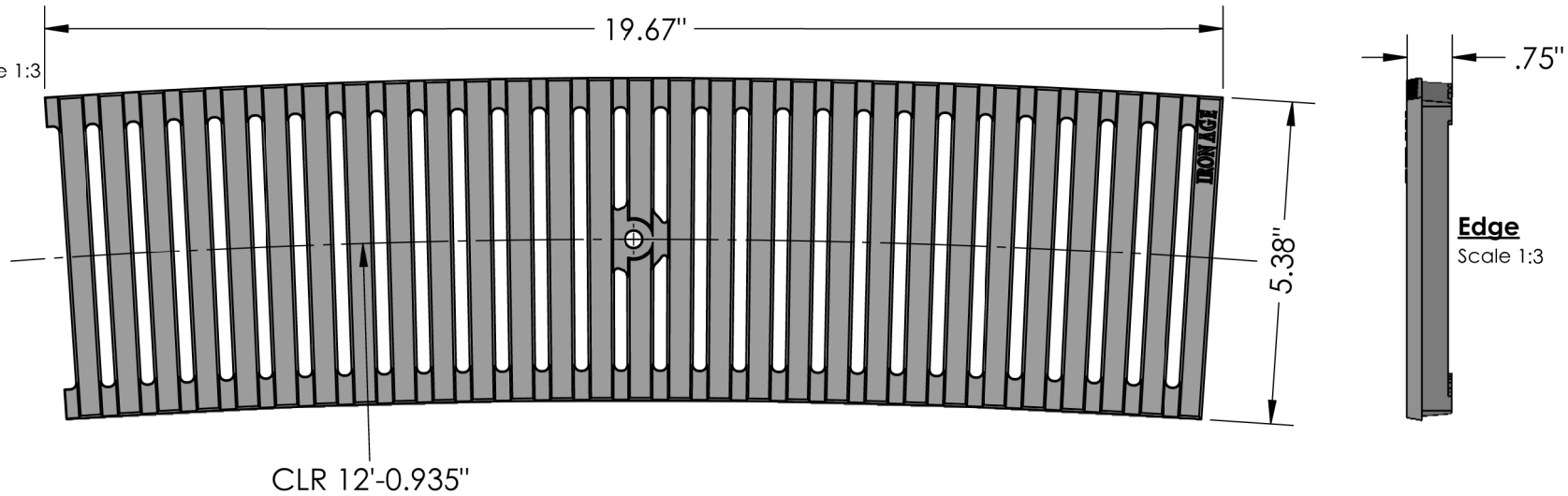
4x Array

Scale 1:8



Top

Scale 1:3



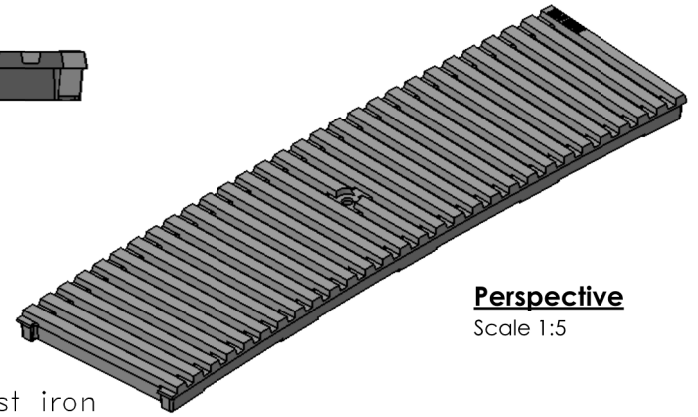
Edge

Scale 1:3



Side

Scale 1:3



Perspective

Scale 1:5

IRON AGE 2104 SW 152nd St #4 TEL 206.276.0925
DESIGNS Burién, WA 98166 FAX 206.257.0318
www.ironagedesigns.com

Regular Joe 5.38" Heel-Proof Trench Grate
12"-1" C.L.R.

Drawn by: JH
Date: 10/5/16
Scale: Not to Scale

DWG. NO. 01-Joe.I.5.38x12'1"CLR_boof

NOTES:

1. Material: cast iron
2. Finish: natural
3. Edge thickness: 3/4"
4. Fits frame by: Iron Age
5. Heelproof; No openings greater than 1/4"
6. Weight approx. N/A
7. Due to casting inconsistencies all dimensions are nominal