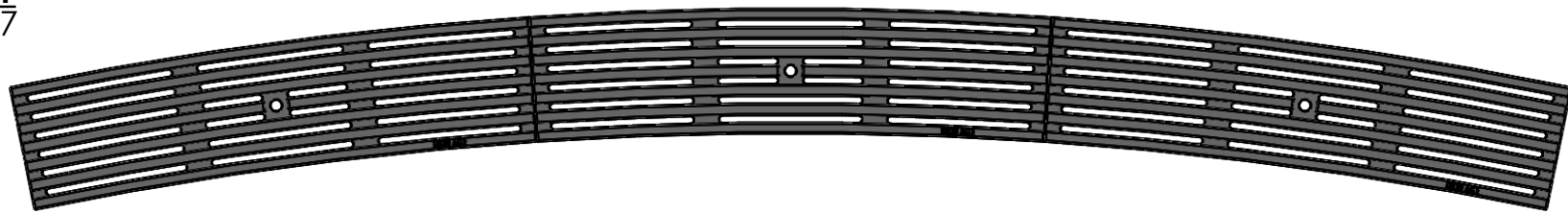


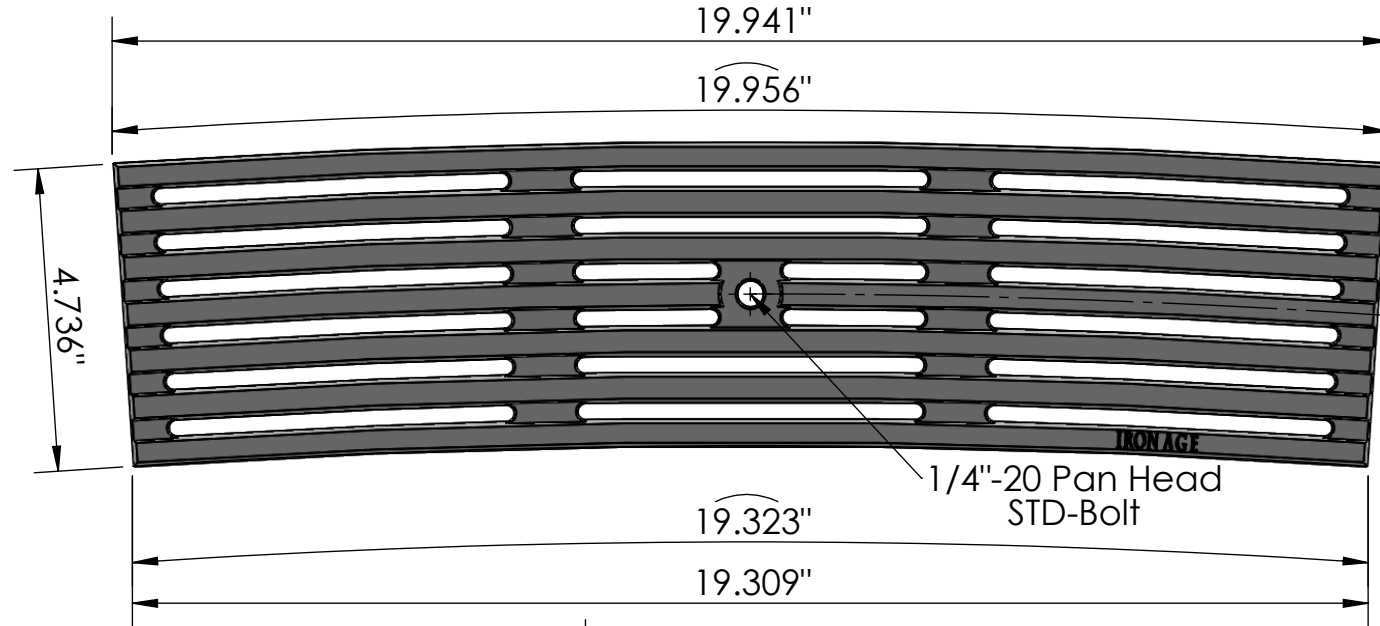
**3 ARRAY**

scale 1:7



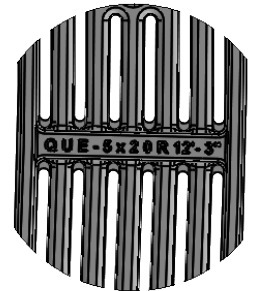
**TOP VIEW**

scale 1:3

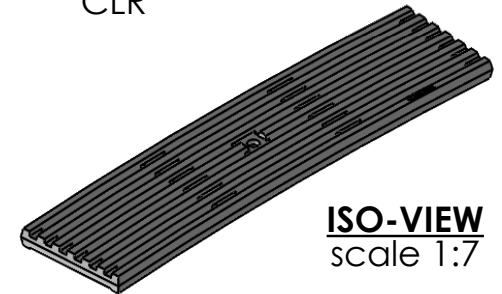


**CASTING-ID**

scale 1:4



12'-3"  
CLR

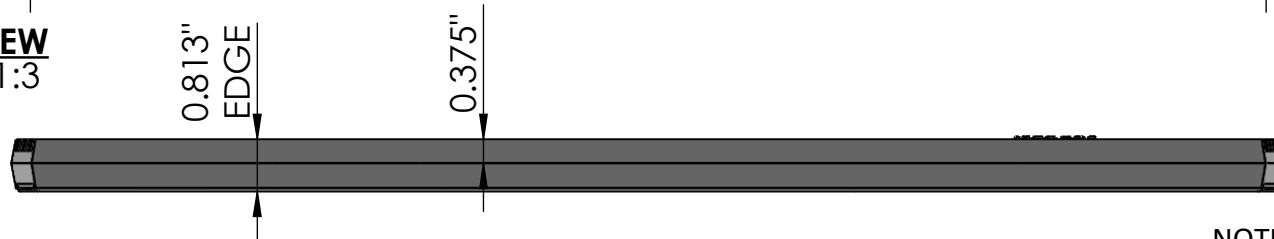


**ISO-VIEW**

scale 1:7

**SIDE VIEW**

scale 1:3



**NOTES:**

1. Heelproof: No thru openings greater than 1/4"
2. Ships in 1 piece.
3. Due to casting inconsistencies, all dimensions are nominal.

Made in USA

©2019 Iron Age Designs

**Que 5" Heel Proof Trench Grate  
12'-3" C.L.R.**



Material: Cast Ductile Iron

Weight: 10.24 lbs.

Free Area 23.91"sq  
(approx): (25.70%)  
Gallon/ Min 31.32 GPM  
(approx):

By: MS Date: 4/5/19

Standard Raw  
Finish:

Edge  
Thickness: .8125"

Job No: XXXXXXXX Scale: 1:3

Fits: Iron Age Frame SOLD SEPARATELY

Product ID: QUR5-20I99HP

© Registration: XX-1-XXX-123

Drawing Name: 01-3A-QUE.I.5x20Rad12'3"