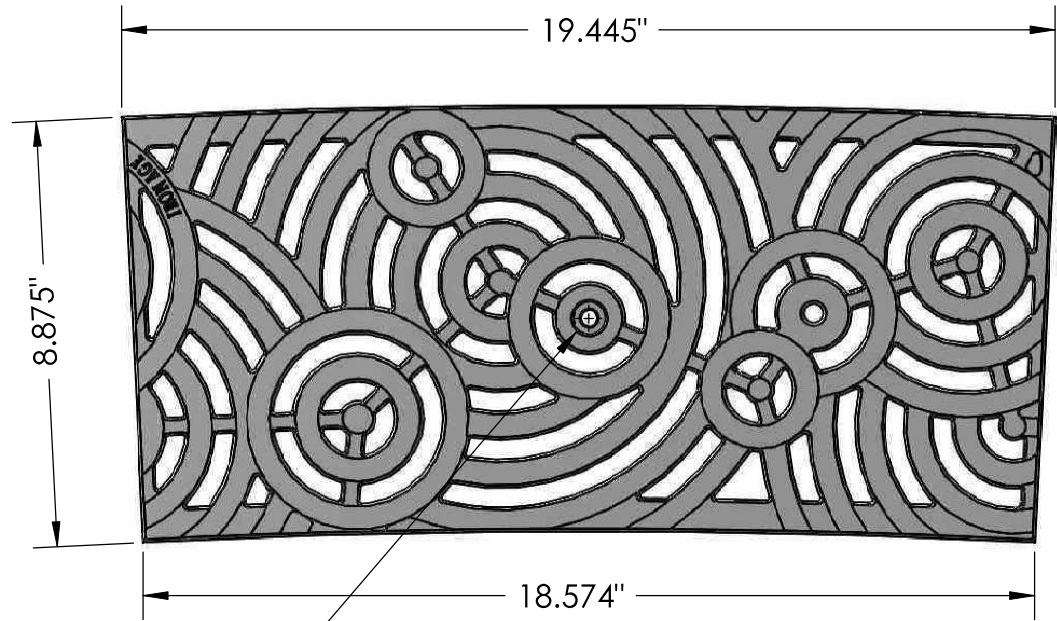
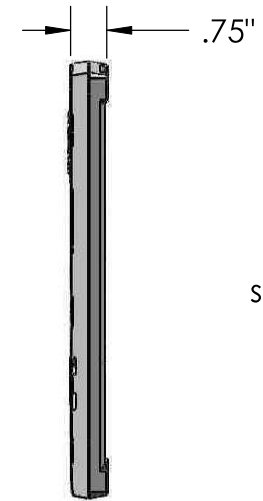


5 castings arrayed

scale 1:12



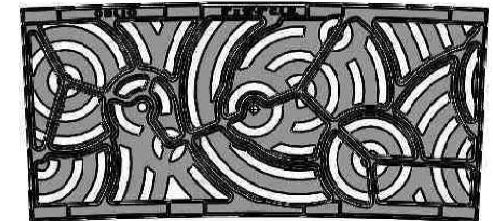
top
scale 1:4



end
scale 1:4

typ. hole for bolt down, grates will be arranged and spaced in field, then frames will be drilled & tapped by contractor

edge
scale 1:4



Back
scale 1:8

 **IRON AGE** 2104 SW 152nd St #4 TEL 206.276.0925
DESIGNS Burién, WA 98166 FAX 206.257.0318
www.ironagedesigns.com

Oblio 9" Trench Grate
16'-0" C.L.R.

Drawn by: CD
Date: 10/07/10
Scale: NTS

DWG. NO. OBL.C.9x16'CLR

NOTES:

1. Material: cast iron
2. Natural finish
3. 63 pc.=full circle, total thickness: $\frac{3}{4}$ "
4. Free Drain Area: 25%
5. Due to casting inconsistencies, all dimensions are nominal.
6. Fits frame manufactured by Iron Age®