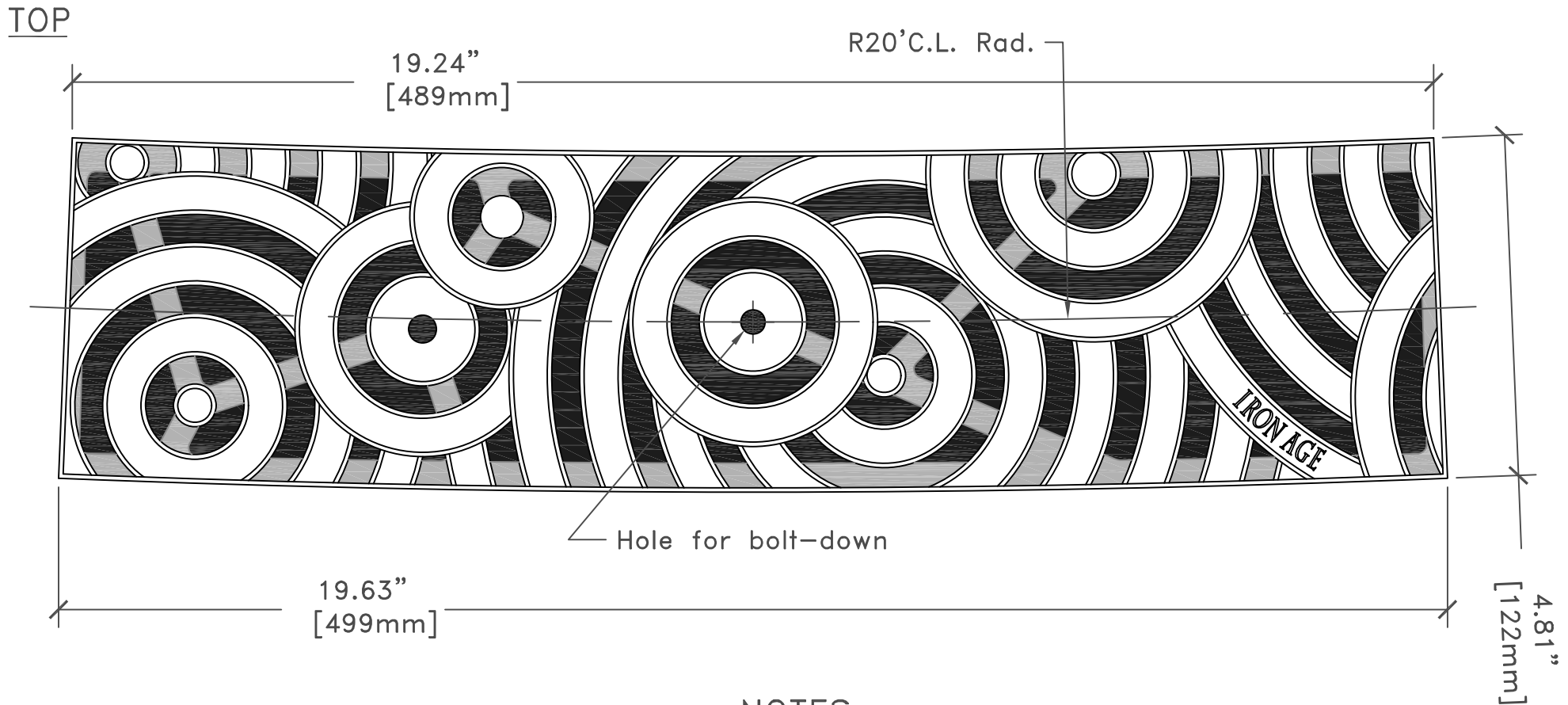
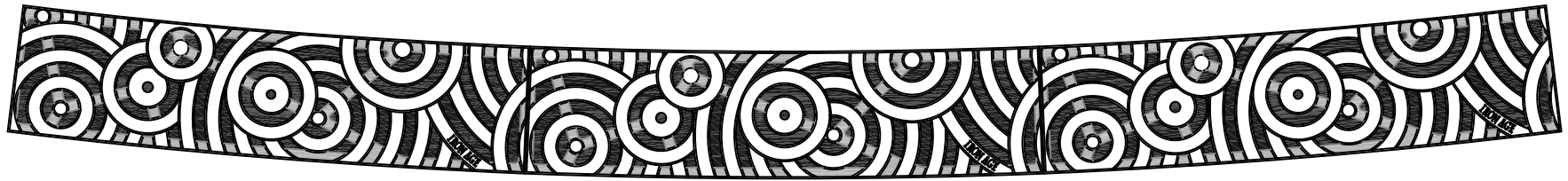


### 3 GRATES ARRAYED



**IRON AGE**  
DESIGNS

2104 SW 152nd St. #4 TEL 206.276.0925  
Burien, WA 98166 FAX 206.257.0318  
www.ironagegrates.com

#### NOTES:

1. Material: cast iron
2. Natural finish
3. Total thickness:  $\frac{3}{4}$ "
4. Fits trench frame by Iron Age Designs
5. No openings greater than  $\frac{1}{2}$ "
6. Free Drain Area = 23%
7. Due to casting inconsistencies all dimensions are nominal.

Oblio 5" Trench Grate  
20'-0" C.L.R.

drawing no. C-0707.05

drawn by: CD  
scale: NTS  
date: 06/14/07

© 2007 Iron Age Designs