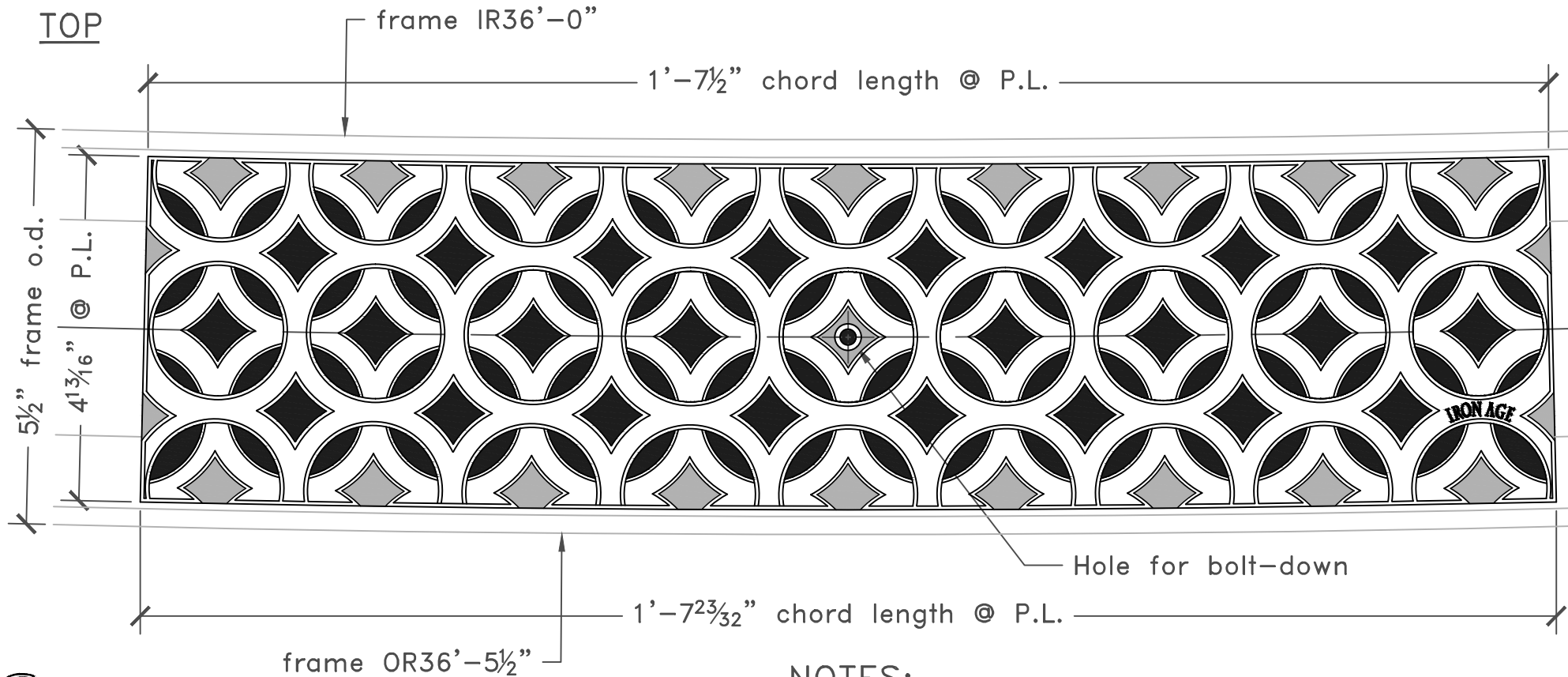


# 3 GRATES ARRAYED



**IRON AGE DESIGNS** 2104 SW 152nd St. #4 TEL 206.276.0925  
 Burien, WA 98166 FAX 206.257.0318  
 www.ironagedesigns.com

- NOTES:**
1. Material: cast iron
  2. Natural finish
  3. Total thickness: 1"
  4. Fits custom frame manufactured by: Iron Age Designs™
  5. No openings greater than 1/2"
  6. Free Drain Area = 21%
  7. Due to casting inconsistencies, all dimensions are nominal.

Interlaken 5" Trench Grate  
 36'-2" C.L.R.  
 drawing no. INT.A.05x20R36'

drawn by: CD  
 scale: NTS  
 date: 09/14/08