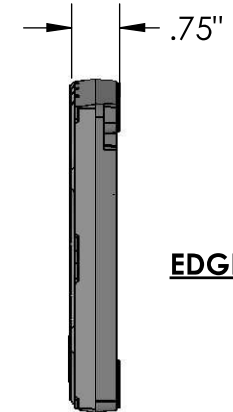
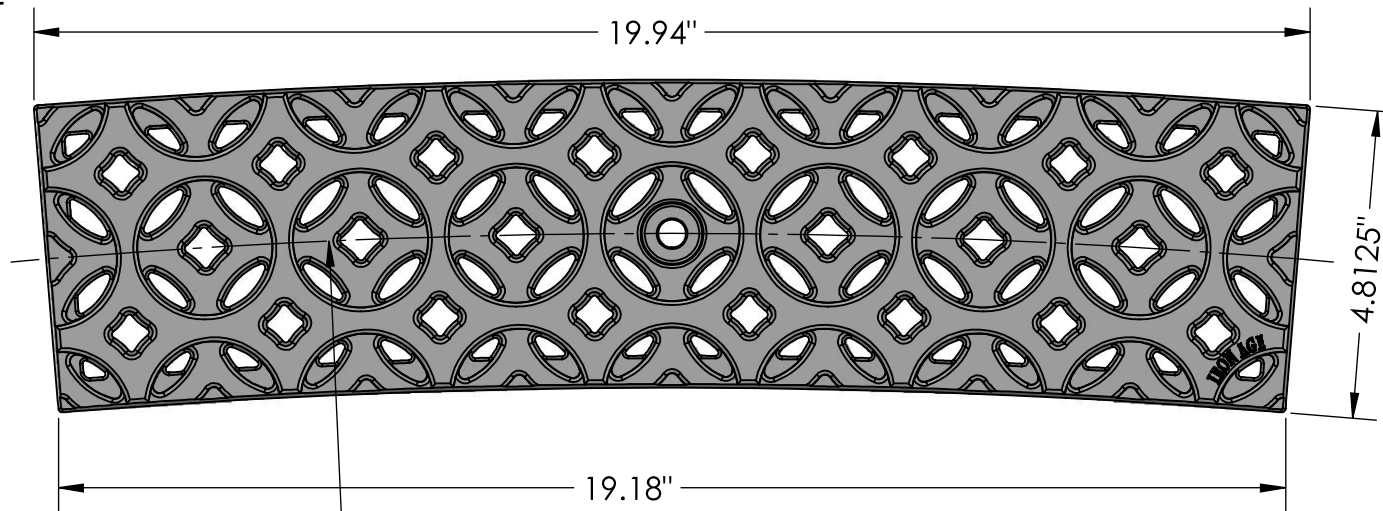


**TOP**



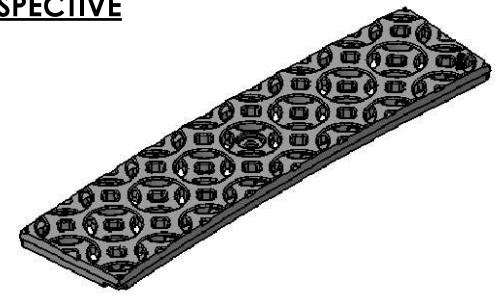
**EDGE**

CLR 120"



**SIDE**

**PERSPECTIVE**



**IRON AGE** 2104 SW 152nd St #4 TEL 206.276.0925  
 DESIGNS Burién, WA 98166 FAX 206.257.0318  
 www.ironagedesigns.com

Interlaken 5" Trench Grate  
 10'-0" C.L.R.

Drawn by: JH  
 Date: 5/4/15  
 Scale: Not to Scale

DWG. NO. 01-INT.1.5x10'-0"CLR

**NOTES:**

1. Material: cast iron
2. Finish: Natural
3. Edge thickness: 3/4"
4. Fits frame by: Iron Age
5. ADA Compliant; No openings greater than 1/2"
6. Weight approx. <10 lbs
7. Due to casting inconsistencies all dimensions are nominal