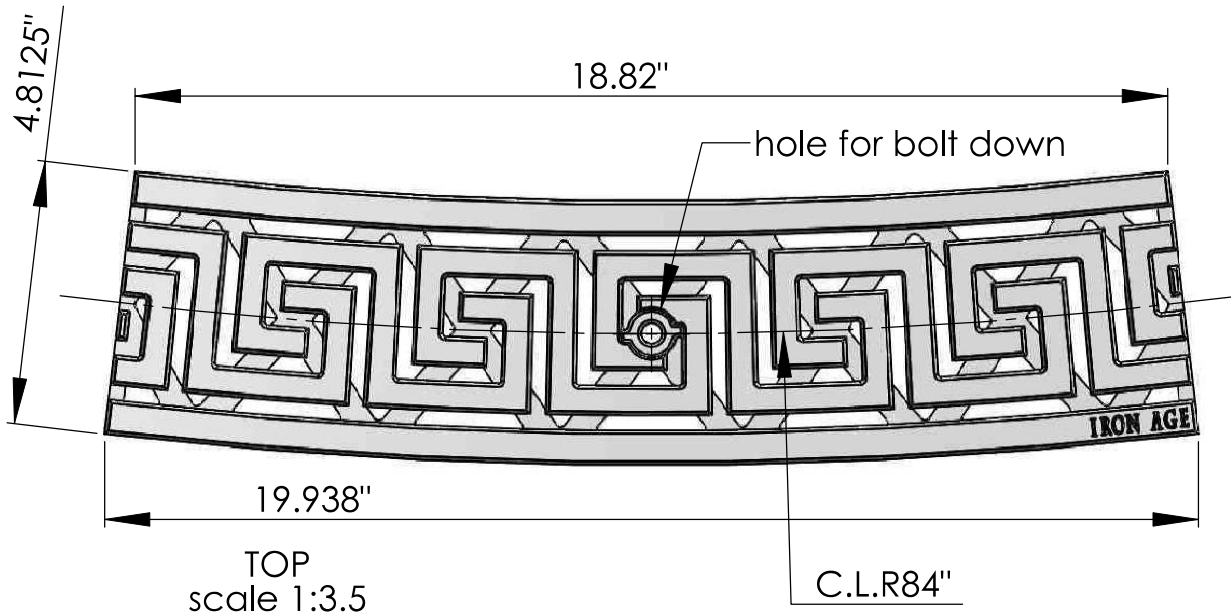
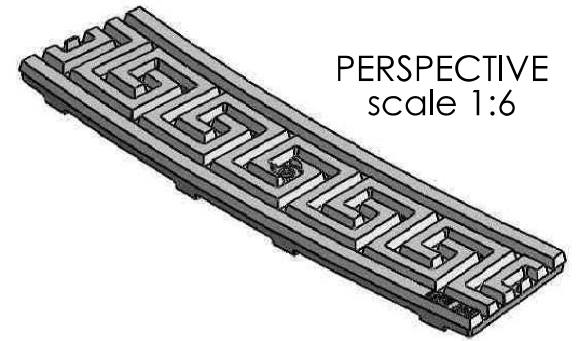


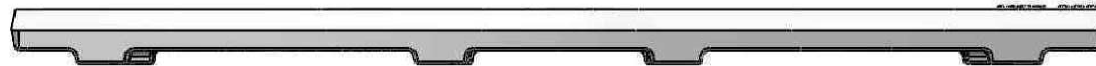
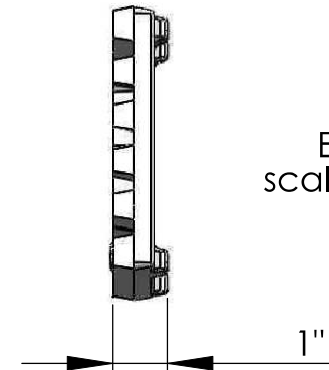
3 castings arrayed
scale 1:10



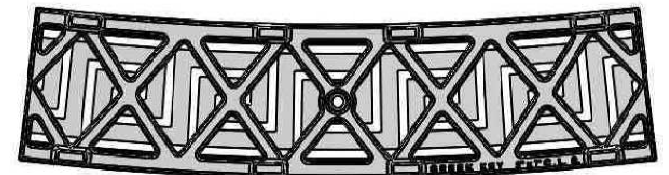
PERSPECTIVE
scale 1:6



END
scale 1:3.5



EDGE
scale 1:3.5



BOTTOM
scale 1:6

NOTES:

1. Material: cast iron
2. Finish: Natural
3. Total Thickness: 1"
4. Fits frame manufactured by: Iron Age®
5. No openings greater than: 1/2"
6. Approx. weight 10+ lbs.
7. Due to casting inconsistencies all dimensions are nominal

 **IRON AGE** 2104 SW 152nd St #4 TEL 206.276.0925
DESIGNS Burién, WA 98166 FAX 206.257.0318
www.ironagedesigns.com

Greek Key 5" Trench Grate
7'-0" C.L.R.

DWG. NO. GRK.5x7'CLR

Drawn by: CD
Date: 07/21/10
Scale: NTS

© 2010 Iron Age Designs